

T-coupling / double post coupling accessories

SPECIFICATION

Types

- Type **R**: Clamping jaws at right angle to clamping arm
- Type **P**: Clamping jaws parallel to clamping arm

Steel C45
blackened
Cylinder head screws DIN 912
Centering bushings
Steel, blackened

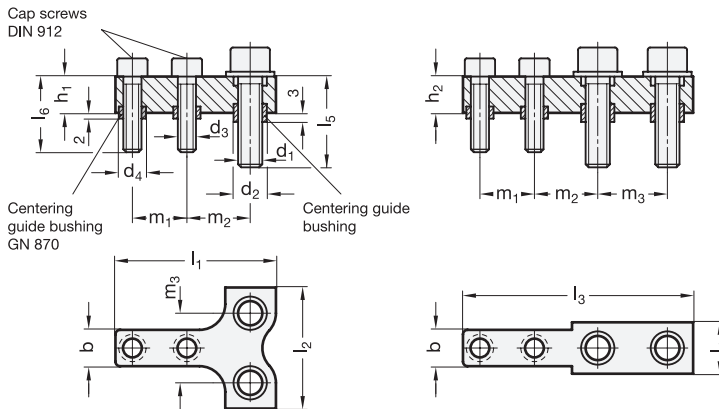
INFORMATION

GN 868 T-coupling / double post coupling accessories are suitable for the clamping arms of the GN 864 (see page 1634)/ GN 865 (see page 1635) / GN 866 (see page 1636) pneumatic fastening clamps. T-coupling accessories are equally precisely positioned on the clamping arm as are the GN 872 (see page 1643) jaw block accessories on the holders themselves.

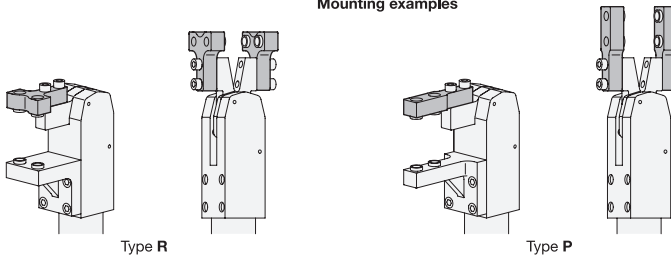
Cap screws and centering guide bushing accessories are included.

TECHNICAL INFORMATION

- ISO-Fundamental Tolerances (see page A21)



Mounting examples



GN 868

Description	b -0.2	d1	d2 H8/h6	d3	d4 H8/h6	h1	h2	l1	l2	l3	l4	l5	l6	m1	m2	m3	⚖
GN 868-10-P	10	M 6	9	M 5	7	-	10	-	-	54	13	18.5	19.5	12	14.5	17	30
GN 868-12-P	12	M 8	11	M 6	9	-	14	-	-	76	17	23.5	29.5	18	20.9	23	80
GN 868-16-P	16	M 10	13	M 8	11	-	16	-	-	93	20	28	34	22	23.5	30	170
GN 868-18-P	18	M 10	13	M 10	13	-	18	-	-	113	20	28	34	27	28.5	40	250
GN 868-10-R	10	M 6	9	M 5	7	10	-	37	30	-	-	18.5	19.5	12	14.5	17	33
GN 868-12-R	12	M 8	11	M 6	9	12	-	53	40	-	-	23.5	29.5	18	20.9	23	120
GN 868-16-R	16	M 10	13	M 8	11	14	-	63	50	-	-	28	34	22	23.5	30	190
GN 868-18-R	18	M 10	13	M 10	13	16	-	73	60	-	-	28	34	27	28.5	40	200